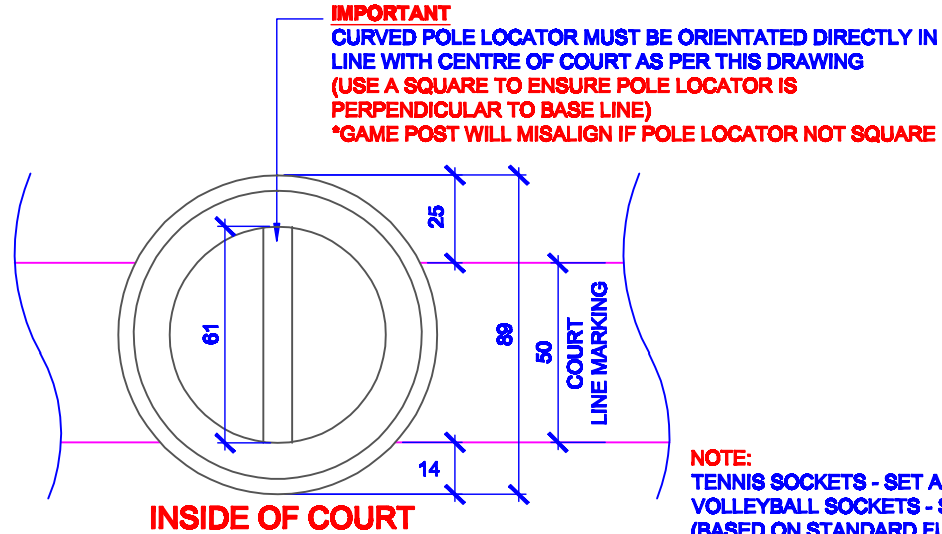
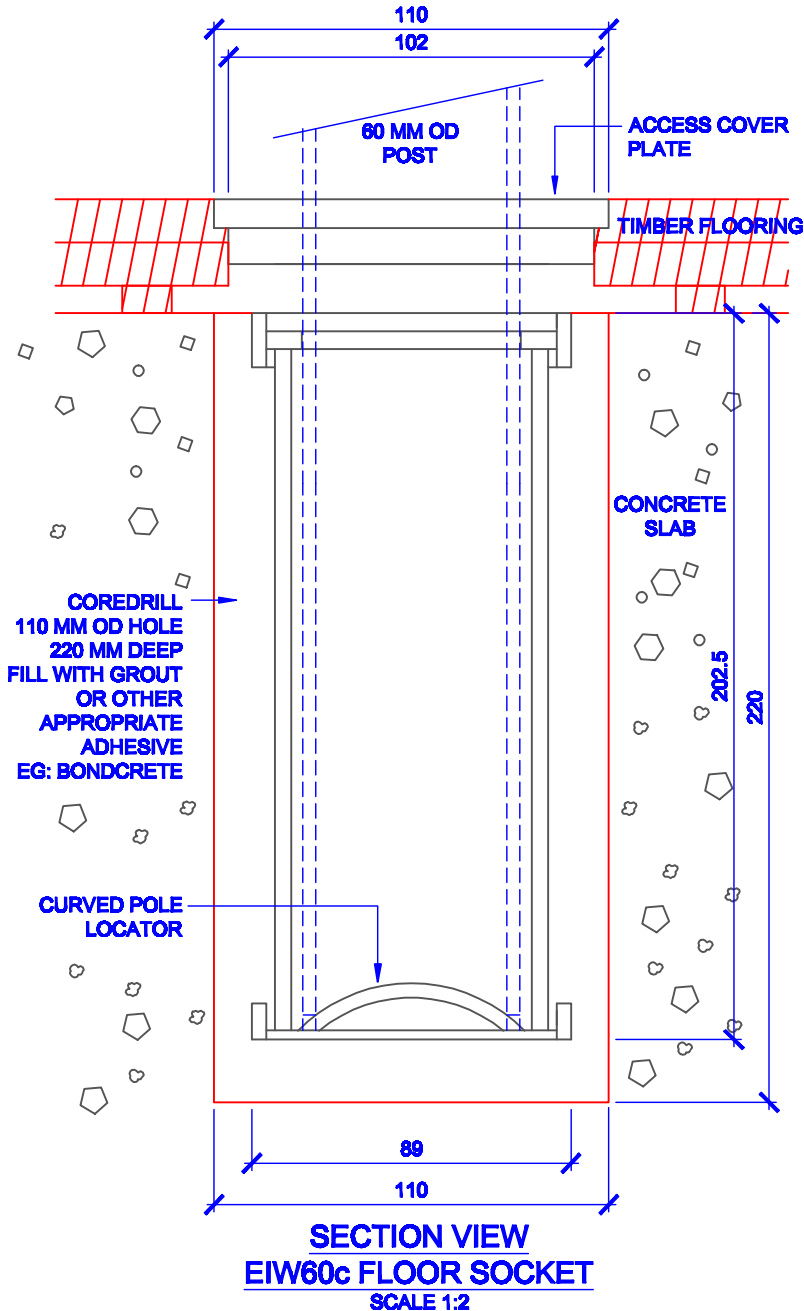
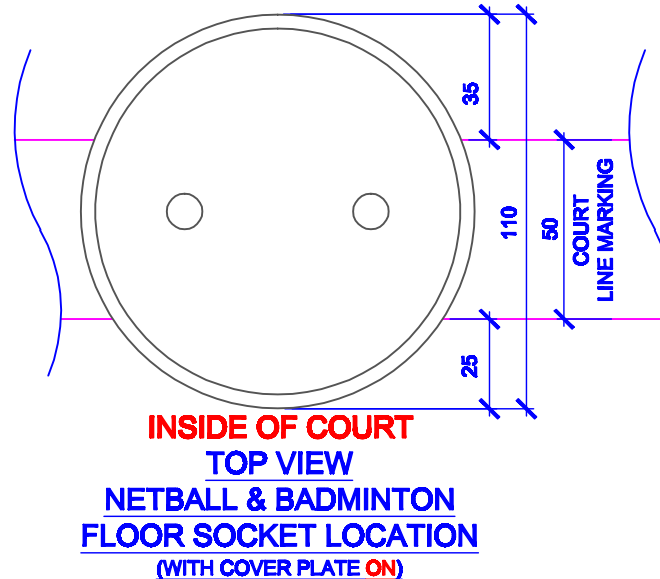


INSTALLATION INSTRUCTIONS



NOTE:
TENNIS SOCKETS - SET AT 12.8 M CENTRES
VOLLEYBALL SOCKETS - SET AT 10 M CENTRES
(BASED ON STANDARD FULL SIZE COURT)



TITLE: EIW60c INDOOR FLOOR SOCKET FOR CONCRETE SLAB WITH TIMBER OVERLAY	
DRAWING NUMBER: EIW60c - INSTALLATION	
WEIGHT: -	CUBIC MEASURE: REV K / 161210



Oz Ring Pty Ltd
Trading as:
Play Hard Sports Equipment
ABN 79 066 094 559
24 Ern Harley Drive
Burleigh Heads Qld 4220
Phone: (07) 5593 4494
Fax: (07) 5593 4338
Website: www.playhardsports.com.au
Email: email@playhardsports.com.au