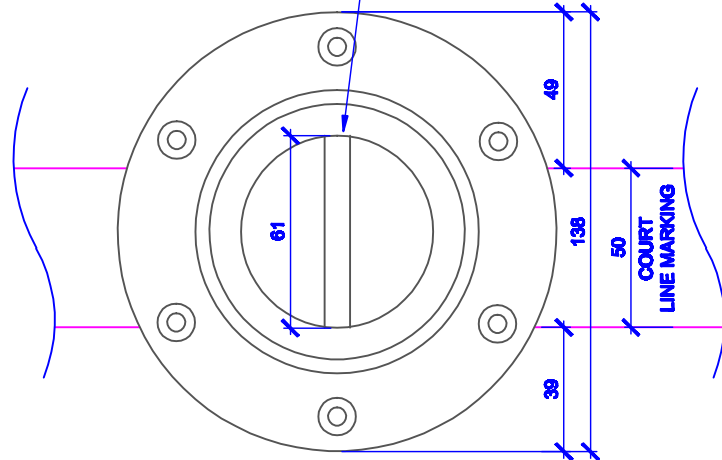


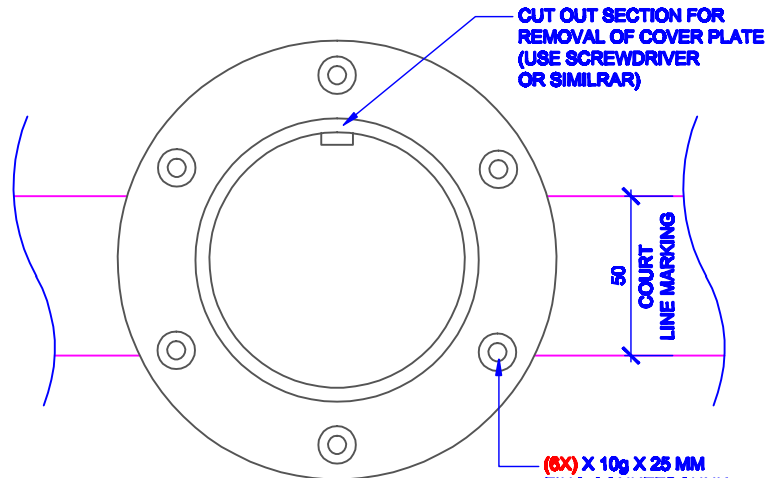
# INSTALLATION INSTRUCTIONS

**NOTE:**  
 TENNIS SOCKETS - SET AT 12.8 M CENTRES  
 VOLLEYBALL SOCKETS - SET AT 10 M CENTRES  
 (BASED ON STANDARD FULL SIZE COURT)

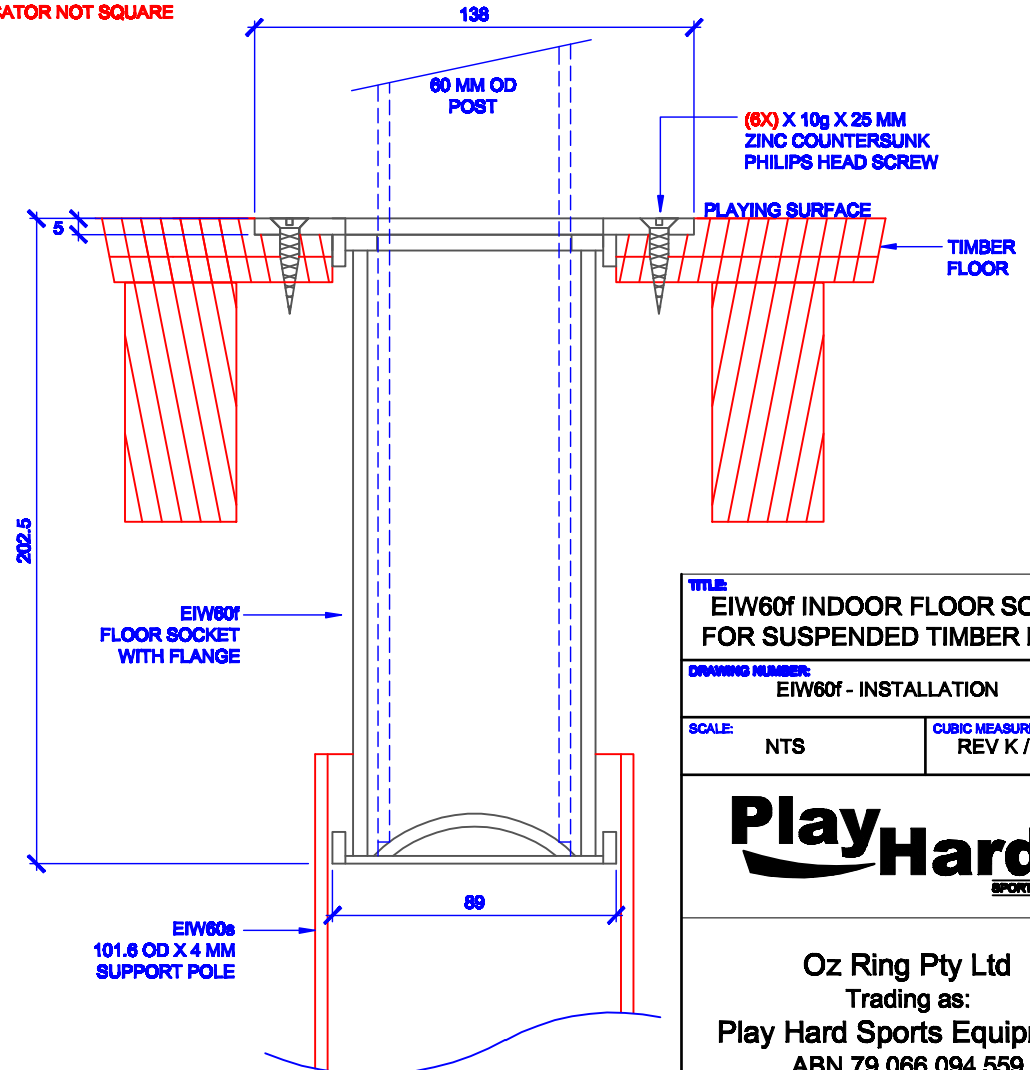
**IMPORTANT**  
 CURVED POLE LOCATOR MUST BE ORIENTATED DIRECTLY IN  
 LINE WITH CENTRE OF COURT AS PER THIS DRAWING  
 (USE A SQUARE TO ENSURE POLE LOCATOR IS  
 PERPENDICULAR TO BASE LINE)  
 \*GAME POST WILL MISALIGN IF POLE LOCATOR NOT SQUARE



**INSIDE OF COURT**  
**TOP VIEW**  
**NETBALL & BADMINTON**  
**FLOOR SOCKET LOCATION**  
 (WITH COVER PLATE OFF)



**INSIDE OF COURT**  
**TOP VIEW**  
**NETBALL & BADMINTON**  
**FLOOR SOCKET LOCATION**  
 (WITH COVER PLATE ON)



**SIDE SECTION VIEW**  
**EIW60f FLOOR SOCKET**

<b>TITLE:</b> EIW60f INDOOR FLOOR SOCKET FOR SUSPENDED TIMBER FLOOR	
<b>DRAWING NUMBER:</b> EIW60f - INSTALLATION	
<b>SCALE:</b> NTS	<b>CUBIC MEASURE:</b> REV K / 161210



Oz Ring Pty Ltd  
 Trading as:  
 Play Hard Sports Equipment  
 ABN 79 066 094 559  
 24 Ern Harley Drive  
 Burleigh Heads Qld 4220  
 Phone: (07) 5593 4494  
 Fax: (07) 5593 4338  
 Website: [www.playhardsports.com.au](http://www.playhardsports.com.au)  
 Email: [email@playhardsports.com.au](mailto:email@playhardsports.com.au)