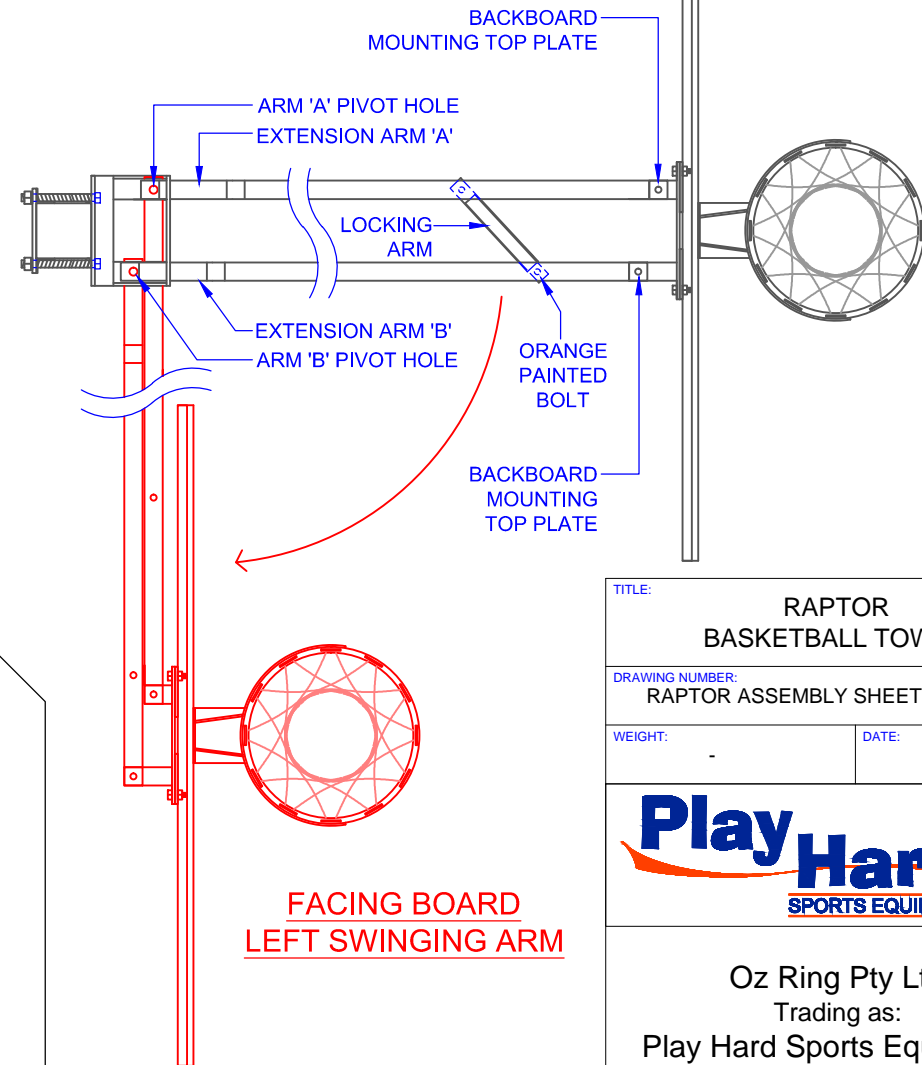
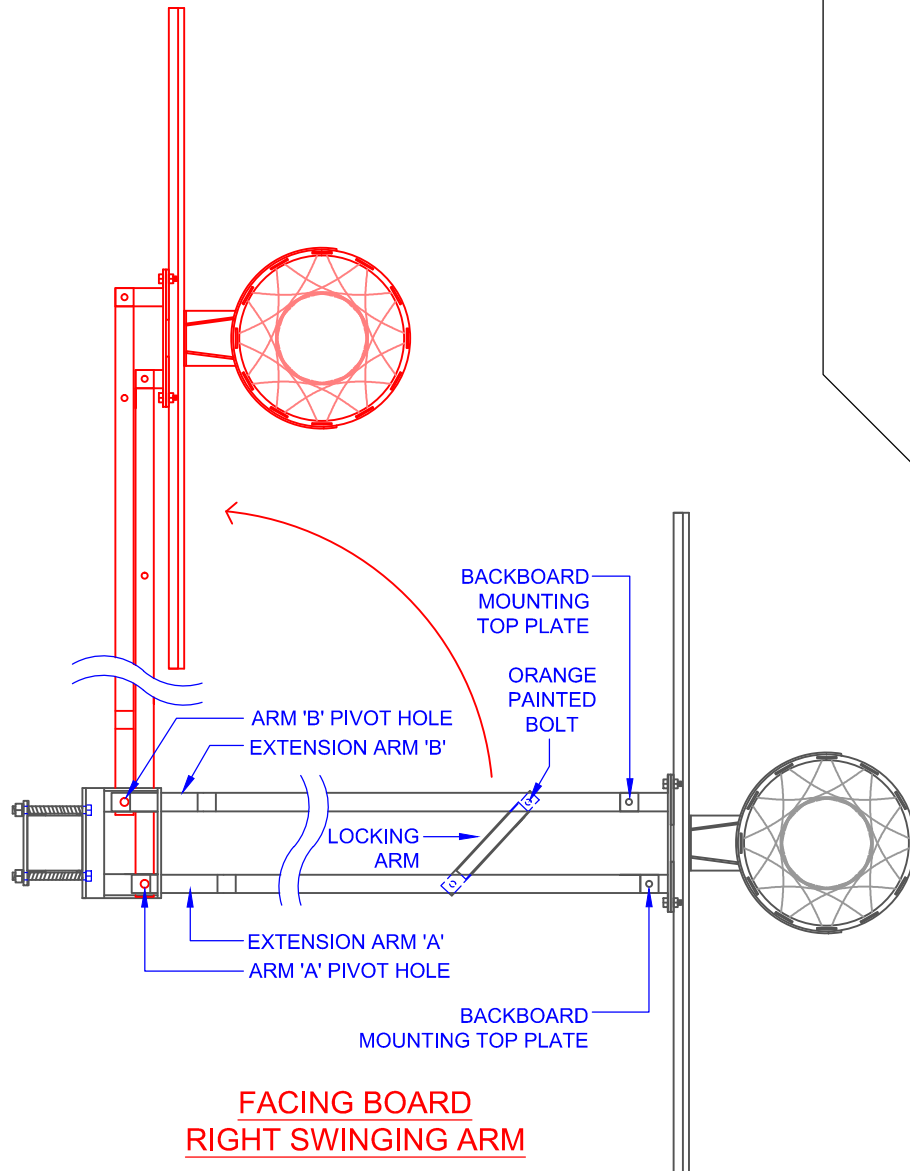


# ASSEMBLY INSTRUCTIONS

**WARNING:**  
READ ASSEMBLY INSTRUCTIONS CAREFULLY.  
DETERMINE LEFT OR RIGHT SWINGING ARM  
PRIOR TO COMMENCING ASSEMBLY



TITLE: <b>RAPTOR BASKETBALL TOWER</b>	
DRAWING NUMBER: RAPTOR ASSEMBLY SHEET 3 OF 3	
WEIGHT: -	DATE: -
	
<p>Oz Ring Pty Ltd                  Trading as:  <b>Play Hard Sports Equipment</b>                  ABN 79 066 094 559                  24 Ern Harley Drive                  Burleigh Heads Qld 4220                  Phone: (07) 5593 4494                  Fax: (07) 5593 4338                  Website: <a href="http://www.playhardsports.com.au">www.playhardsports.com.au</a>                  Email: <a href="mailto:email@playhardsports.com.au">email@playhardsports.com.au</a></p>	