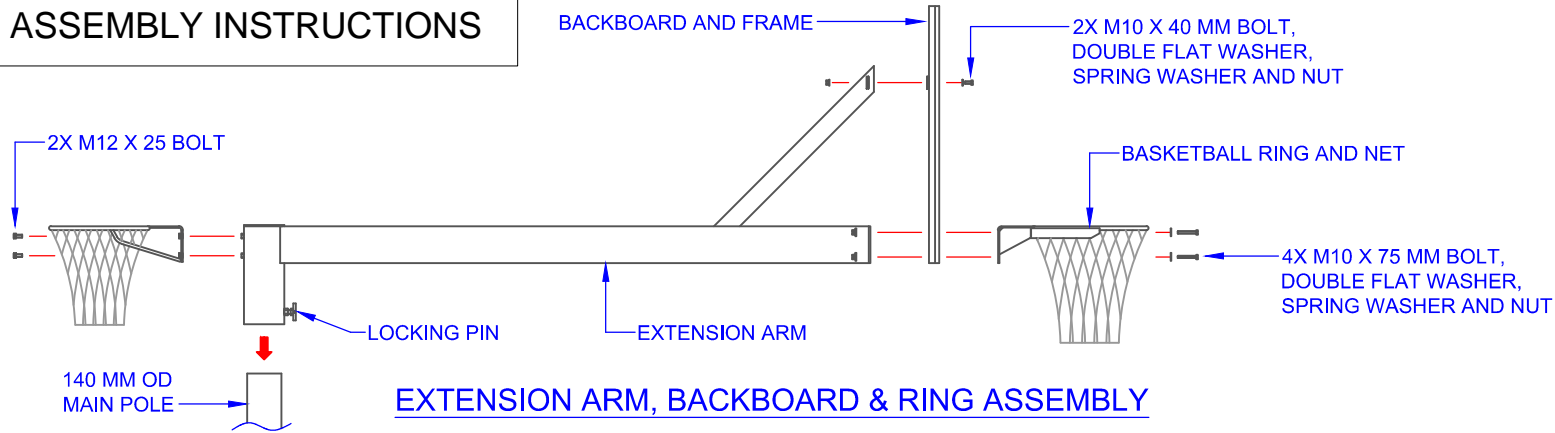
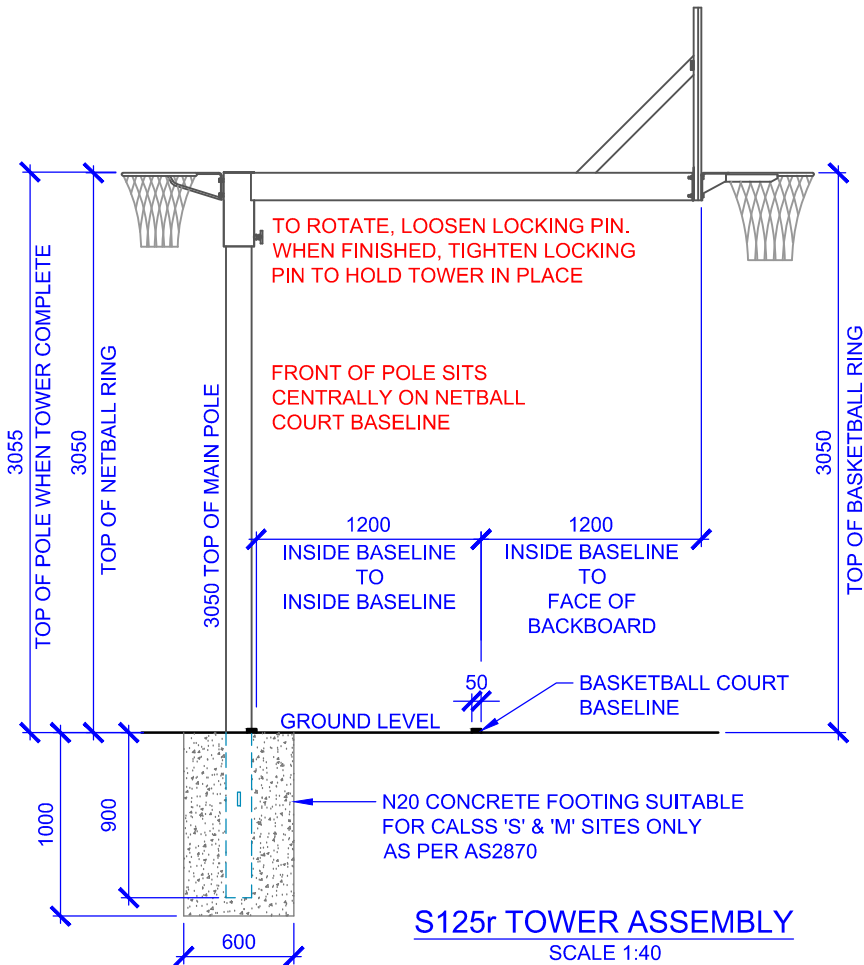


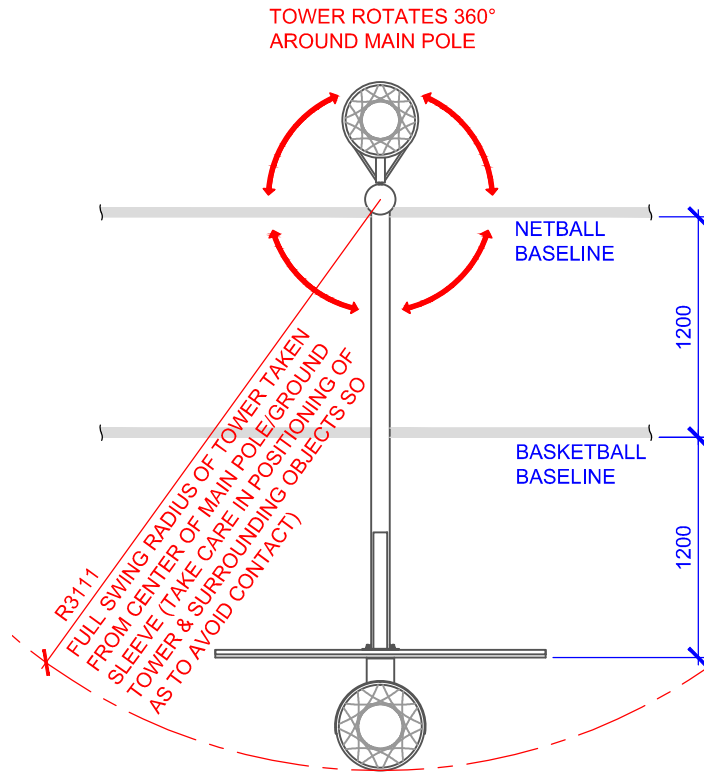
ASSEMBLY INSTRUCTIONS



EXTENSION ARM, BACKBOARD & RING ASSEMBLY



S125r TOWER ASSEMBLY
SCALE 1:40



TOP VIEW S125r

COMPONENTS

QTY	ITEM
1	MAIN POLE
1	EXTENSION ARM
1	BACKBOARD AND FRAME
1	BASKETBALL RING AND NET
2	M10 X 40 MM BOLT, DOUBLE FLAT WASHER, SPRING WASHER & NUT
4	M10 X 75 MM BOLT, DOUBLE FLAT WASHER, SPRING WASHER & NUT
1	NETBALL RING AND NET
2	M12 X 25 MM BOLT
-	-
-	-
-	-
-	-
-	-

TITLE: **S125r BASKETBALL / NETBALL TOWER**

DRAWING NUMBER: **S125r ASSEMBLY**

WEIGHT: **148 KG** CUBIC MEASURE: **0.65M3**



Oz Ring Pty Ltd
Trading as:
Play Hard Sports Equipment
ABN 79 066 094 559
24 Ern Harley Drive
Burleigh Heads Qld 4220
Phone: (07) 5593 4494
Fax: (07) 5593 4338
Website: www.playhardsports.com.au
Email: email@playhardsports.com.au